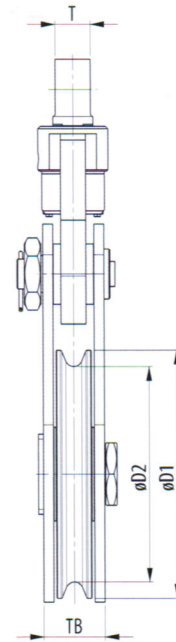
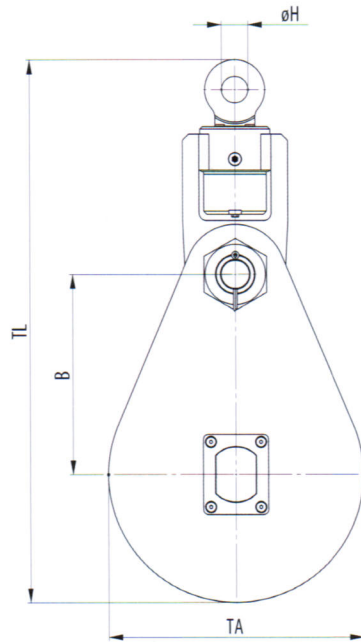
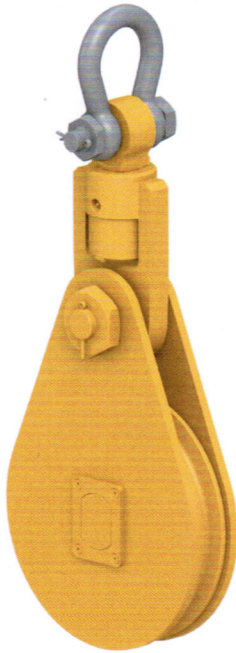


<< SNATCH BLOCKS



- Hook
- Clevis
- Tailboard
- Oblong eye

Model No.	WLL (Mtons)	For wire ød (mm)	Dimensions (inch)								Weight (kg)
			øD1	øD2	B	øH	T	TA	TB	TC/TL	
VB 520.44.1.55.S	55	44	595	520	460	59	78	610	142	1280	300
VB 520.52.1.55.S	55	52	595	520	460	59	78	610	142	1280	300
VB 520.52.1.75.S	75	52	595	520	460	73	100	610	142	1335	340
VB 630.58.1.75.S	75	58	750	630	570	73	100	770	202	1815	575
VB 710.68.1.100.S	100	68	800	710	650	86	120	820	202	1910	730
VB 800.76.1.125.S	125	76	890	800	750	86	120	920	202	2150	1000

Also Available in Double Sheave Models:

VB 240.28.2.20.S*	20	28	300	240	255	37	48	310	158	682,5	91
VB 300.32.2.32.S	32	32	365	300	287,5	53	70	375	158	833,5	121
VB 430.28.2.73.S	73	28-38	495	430	410	72	100	510	244	1549	478
VB 520.38.2.125.S	125	38	595	520	460	86	120	610	259	1453	610

* Available with and without Dead End

Minimum Ultimate Strength = 4 x WLL

WLL= Working Load Limit on head fitting.

- The dimensions in this table are indicative only. A drawing will always be submitted prior to production and will be the leading document when discussing dimensions.
- Blocks shown here are standard models; inquiries for custom versions are welcome.
- Refer to wire rope manufacturers D/d ratio guideline.
- Standard provided with bronze bearing. Roller bearing optional.



SEE OUR WARNING & SAFETY INFORMATION ON PAGES 146 - 158

