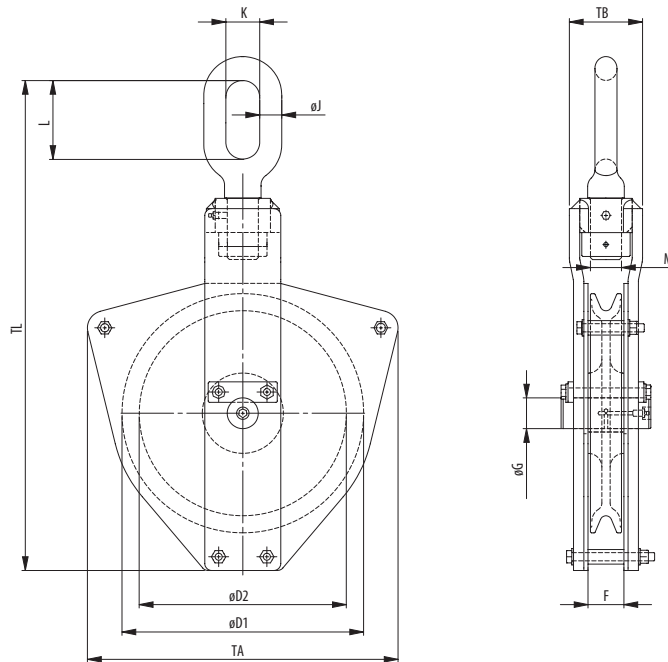
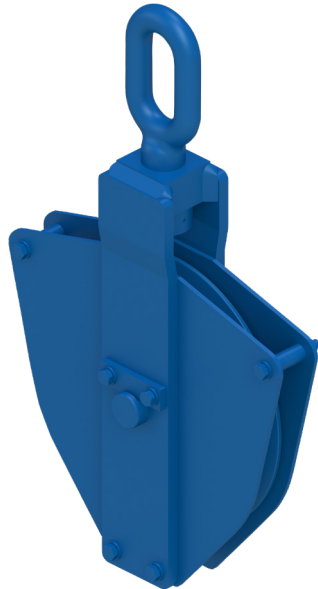


## ANCHOR BOOM BLOCKS



Model Nr.	WLL (Mtons)	for wire ød (mm)	Dimensions (mm)										Weight (kg)	
			øD1	øD2	F	øG	øJ	K	L	M	TA	TB		TL
BBA 165.10.1.3.O	3	10	200	165	40	30	21	32	72	30	270	230	465	13,5
BBA 210.12.1.4.O	4	12	250	210	45	35	26	40	94	33	320	280	556	22
BBA 255.14.1.6.O	6	14	300	255	50	40	29	45	108	42	400	360	653	35
BBA 300.18.1.8.O	8	18	350	300	45	45	32	49	115	45	450	400	714	72
BBA 345.20.1.12.O	12	20	400	345	50	60	41	60	144	56	502	440	1014	85
BBA 390.22.1.16.O	16	22	450	390	60	70	46	66	163	64	560	510	1094	105
BBA 430.24.1.18.O	18	24	500	430	70	75	51	72	173	72	610	520	1097	135
BBA 430.36.1.20.O	20	36	500	430	70	80	51	72	173	72	620	550	1114	164

Minimum Ultimate Strength = 4 x WLL

WLL= Working Load Limit on head fitting.

- Sheaves standard fitted with bronze bushing.
- Optionally supplied with roller thrust bearing for lifting eye.
- Groove in sheave may be adjusted to other wire rope diameters.



SEE OUR WARNING & SAFETY INFORMATION