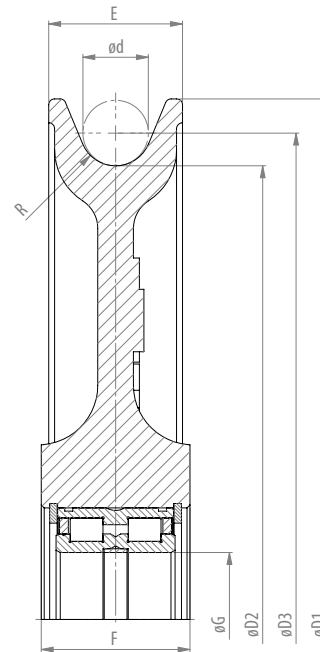


CAST SHEAVES, RIGGING

WITH CYLINDRICAL ROLLER BEARINGS



Model Nr.	Dimensions (mm)								Bearing	Weight (kg)
	Sheave tread ø	Shaft ø	Wire ød	Groove radius	Outside ø	PCD	Rim width	Bearing width		
	øD2	øG	d	R	øD1	øD3	E	F		
SEF.120.5005.6,5	120	25	12	6,5	150	132	36	40/30	SL04 5005 PP	6,6
SEF.120.5006.6,5	120	30	12	6,5	150	132	36	40/34	SL04 5006 PP	3
SEF.165.5006.7,5	165	30	14	7,5	200	179	36	40/34	SL04 5006 PP	4,5
SEF.195.5012.12	195	60	22	12	250	217	50	60	SL04 5012 PP	13
SEF.210.5007.9,5	210	35	18	9,5	250	228	40	45/36	SL04 5007 PP	8
SEF.210.5008.9,5	210	40	18	9,8	250	228	34	38	SL04 5008 PP	6,1
SEF.210.5008.6	210	40	11	6	250	221	34	38	SL04 5008 PP	6,5
SEF.210.5008.9,5	210	40	18	9,5	250	228	40	45/36	SL04 5008 PP	8
SEF.250.5013.13	250	65	24	13	300	274	55	60	SL04 5013 PP	13
SEF.255.5008.11	255	40	20	11	300	275	45	50/38	SL04 5008 PP	12
SEF.255.5010.8,5	255	50	16	8,5	300	271	36	40	SL04 5010 PP	8,8
SEF.305.5009.12	305	45	22	12	350	327	45	50/40	SL04 5009 PP	17
SEF.305.5012.8,5	305	60	16	8,5	350	321	45	46	SL04 5012 PP	13,6
SEF.305.5015.14	305	75	26	14	350	331	70	70	SL04 5015 PP	23
SEF.345.5010.13	345	50	24	13	400	369	55	60/40	SL04 5010 PP	24
SEF.345.5018.15	345	90	28	15	400	373	75	54	SL04 5018 PP	30
SEF.345.5014.9,5	345	120	18	9,5	400	363	50	54	SL04 5024 PP	21,6
SEF.390.5011.15	390	55	28	15	450	418	60	70/46	SL04 5011 PP	48
SEF.390.5016.11	390	80	20	11	450	410	60	60	SL04 5016 PP	31
SEF.390.5020.17	390	100	32	17	450	422	75	85	SL04 5020 PP	38
SEF.430.5012.16	430	60	30	16	500	460	70	80/46	SL04 5012 PP	44
SEF.430.5018.12	430	90	22	12	500	452	70	67	SL04 5018 PP	45
SEF.430.5024.19,5	430	120	36	19,5	500	466	75	105	SL04 5024 PP	77
SEF.480.5014.18	480	70	34	18	550	514	70	80/54	SL04 5014 PP	55
SEF.480.5024.21,5	480	120	40	21,5	550	520	80	105	SL04 5024 PP	95
SEF.520.5016.19	520	80	36	19	600	556	85	105/60	SL04 5016 PP	80
SEF.560.5020.20,5	560	100	39	20,5	665	599	100	110	SL04 5020 PP	110
SEF.630.5024.21,5	630	120	40	21,5	710	670	85	110/80	SL04 5024 PP	125
SEF.710.5030.23,5	710	150	44	23,5	810	754	98	100	SL04 5030 PP	131
SEF.710.5030.22,5	710	150	42	22,5	810	752	98	100	SL04 5030 PP	190
SEF.800.5032.23,5	800	160	44	23,5	920	844	100	109	SL04 5032 PP	215
SEF.920.5032.25,5	920	160	48	25,5	1030	968	130	150	SL04 5032 PP	380
SEF.1020.5036.27,5	1020	180	52	27,5	1160	1072	140	160	SL04 5036 PP	540

- Different shaft sizes possible.
- Groove may be adjusted to other wire rope diameters.



SEE OUR WARNING & SAFETY INFORMATION