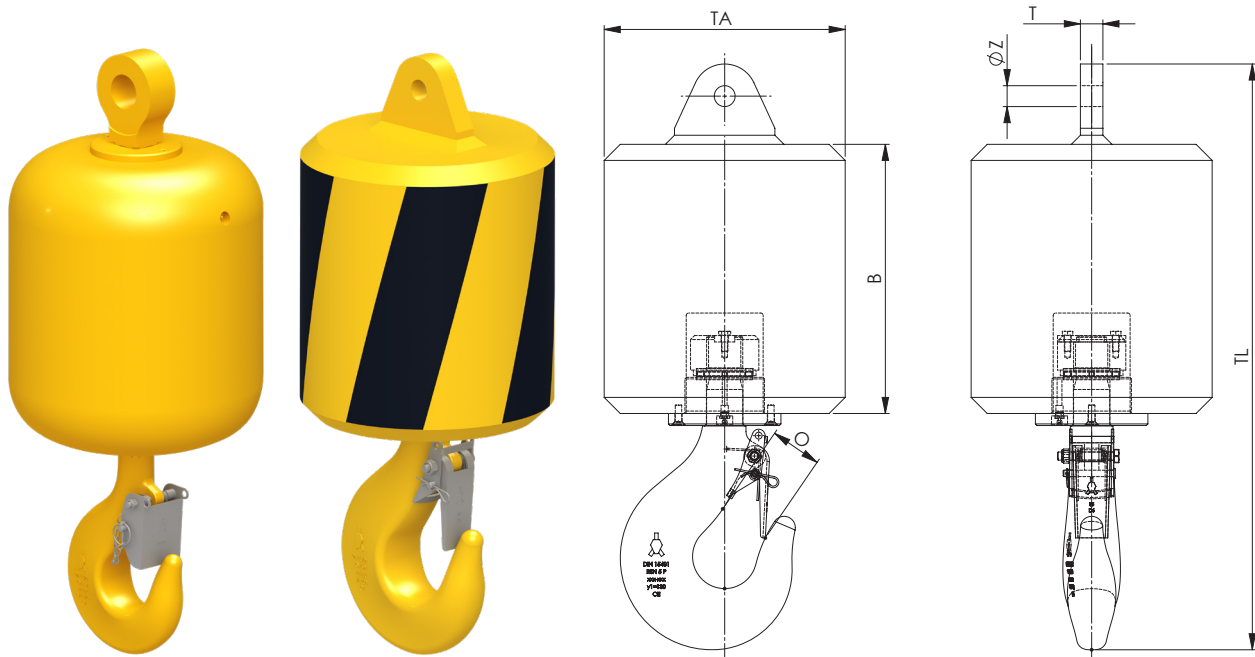


OVERHAUL BALLS



Model Nr.	WLL (Mtons)	For wire ød (mm)	Hook	Becket	Dimensions (mm)						Weight (kg)
					B	O	TA	TL	T	øZ	
OHB 3,2.60.C-1	3,2	11-13	2,5	1	200	41	220	500	22	27	60
OHB 3,2.60.C-2	3,2	14-16	2,5	2	200	41	220	505	28	32	60
OHB 5.80.C-2	5	14-16	2,5	2	220	41	238	566	28	32	80
OHB 6,3.80.C-2	6,3	14-16	2,5	2	220	49	238	566	28	32	80
OHB 8.130.C-3	8	18-19	4	3	310	49	257	719	35	37	130
OHB 8.170.C-3	8	18-19	4	3	340	49	278	681	35	37	170
OHB 8.250.C-3	8	18-19	4	3	400	49	318	864	35	37	250
OHB 10.210.C-4	10	20-22	4	4	380	49	298	751	40	43	210
OHB 10.250.C-5	10	24-26	4	5	400	49	318	771	45	52	250
OHB 12,5.250.C-5	12,5	24-26	5	5	400	55	318	829	45	52	250
OHB 12,5.350.C-5	12,5	24-26	5	5	450	55	350	879	45	52	350
OHB 16.350.C-5	16	24-26	6	5	450	59	318	982	45	52	350
OHB 16.450.C-5	16	24-26	6	5	440	59	400	972	45	52	450
OHB 20.550.C-6	20	27-29	8	6	470	69	407	1074	50	59	550
OHB 20.550.C-7	20	30-32	8	7	470	69	407	1084	60	65	550
OHB 25.680.C-7	25	30-32	8	7	510	69	460	1078	60	65	680
OHB 25.680.C-8	25	34-36	8	8	510	69	460	1078	60	65	680
OHB 25.800.C-7	25	30-32	8	7	610	69	460	1178	60	65	800
OHB 25.800.C-8	25	34-36	8	8	610	69	460	1178	60	65	800

Minimum Ultimate Strength = 4 x WLL

- The dimensions in this table are indicative only. A drawing will always be submitted prior to production and will be the leading document when discussing dimensions.
- Overhaul Balls shown here are standard models; inquiries for custom versions are welcome.



SEE OUR WARNING & SAFETY INFORMATION