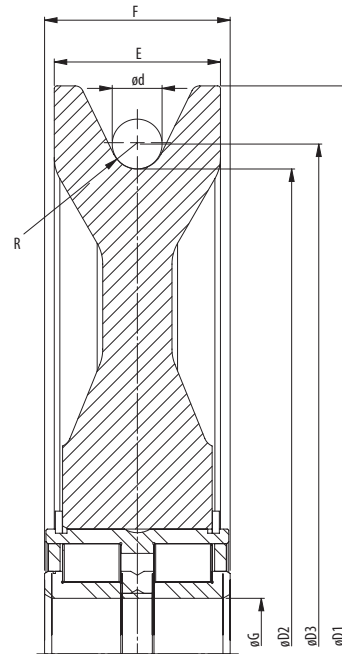
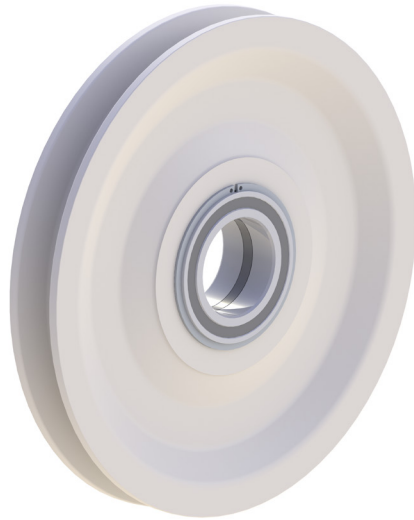


## PLASTIC SHEAVES

## WITH CYLINDRICAL ROLLER BEARINGS



| Model Nr.          | Dimensions (mm) |         |         |               |           |     |           |               | Bearing     | Weight (kg) |
|--------------------|-----------------|---------|---------|---------------|-----------|-----|-----------|---------------|-------------|-------------|
|                    | Sheave tread ø  | Shaft ø | Wire ød | Groove radius | Outside ø | PCD | Rim width | Bearing width |             |             |
|                    | øD2             | øG      | d       | R             | øD1       | øD3 | E         | F             |             |             |
| SE.260.5010.7.K    | 260             | 50      | 13      | 7             | 300       | 272 | 34        | 40            | SL04 5010PP | 2,9         |
| SE.285.5012.7.K    | 285             | 60      | 13      | 7             | 325       | 297 | 34        | 46            | SL04 5012PP | 3,9         |
| SE.350.5014.14.K   | 350             | 70      | 26      | 14            | 416       | 376 | 52        | 54            | SL04 5014PP | 5,9         |
| SE.352.5013.9,5.K  | 352             | 65      | 17      | 9,5           | 400       | 369 | 42        | 46            | SL04 5013PP | 5,5         |
| SE.352.5013.8,5.K  | 352             | 65      | 16      | 8,5           | 400       | 368 | 42        | 46            | SL04 5013PP | 5,6         |
| SE.352.5016.8,5.K  | 352             | 80      | 16      | 8,5           | 400       | 368 | 50        | 60            | SL04 5016PP | 7,6         |
| SE.400.5018.10,5.K | 400             | 90      | 19      | 10,5          | 460       | 419 | 60        | 67            | SL04 5018PP | 9,8         |
| SE.400.5018.10.K   | 400             | 90      | 18      | 10            | 460       | 418 | 60        | 67            | SL04 5018PP | 10,8        |
| SE.400.5024.10.K   | 400             | 120     | 18      | 10            | 460       | 418 | 72        | 80            | SL04 5024PP | 14          |
| SE.400.160.10.K    | 400             | 160     | 18      | 10            | 460       | 418 | 72        | 80            | SL04 160PP  | 13,5        |
| SE.482.5018.12.K   | 482             | 90      | 22      | 12            | 558       | 504 | 62        | 67            | SL04 5018PP | 13          |
| SE.482.5018.11,5.K | 482             | 90      | 21      | 11,5          | 560       | 503 | 62        | 67            | SL04 5018PP | 14          |
| SE.482.5024.11,5.K | 482             | 120     | 21      | 11,5          | 560       | 503 | 72        | 80            | SL04 5024PP | 17,5        |
| SE.482.160.11,5.K  | 482             | 160     | 21      | 11,5          | 560       | 503 | 72        | 80            | SL04 160PP  | 17,2        |
| SE.528.5018.14.K   | 528             | 90      | 26      | 14            | 596       | 554 | 62        | 67            | SL04 5018PP | 14,9        |
| SE.528.5018.12.K   | 528             | 90      | 22      | 12            | 596       | 550 | 60        | 67            | SL04 5018PP | 15          |
| SE.528.5018.13.K   | 528             | 90      | 24      | 13            | 596       | 552 | 62        | 67            | SL04 5018PP | 15          |
| SE.528.5018.8,5.K  | 528             | 90      | 16      | 8,5           | 596       | 544 | 62        | 67            | SL04 5018PP | 15,3        |
| SE.528.5024.13.K   | 528             | 120     | 24      | 13            | 596       | 552 | 72        | 80            | SL04 5024PP | 20,9        |
| SE.528.160.13.K    | 528             | 120     | 24      | 13            | 596       | 552 | 72        | 80            | SL04 160PP  | 22,1        |
| SE.630.160.15,5.K  | 630             | 160     | 28      | 15,5          | 710       | 658 | 75        | 80            | SL04 160PP  | 28          |
| SE.662.5026.15,5.K | 662             | 130     | 28      | 15,5          | 742       | 690 | 80        | 95            | SL04 5026PP | 35          |
| SE.772.5026.15,5.K | 772             | 130     | 28      | 15,5          | 852       | 800 | 80        | 95            | SL04 5026PP | 46          |

- The dimensions in this table are indicative only. A drawing will always be submitted prior to production and will be the leading document when discussing dimensions.
- Sheaves shown here are standard models; inquiries for custom versions are welcome.



SEE OUR WARNING & SAFETY INFORMATION