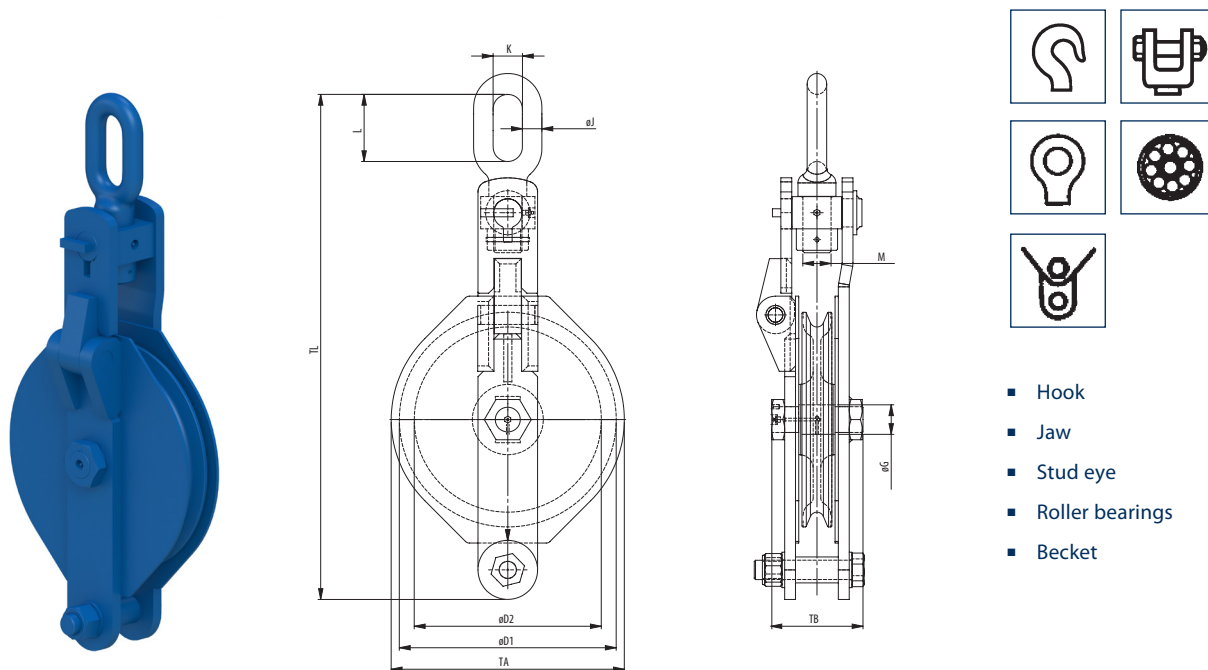


SNATCH BLOCKS SELF LOCKING



Model Nr. (+B for w. becket)	WLL (Mtons)	for wire ød (mm)	Dimensions (mm)										Weight (kg)
			øD1	øD2	øG	øJ	K	L	M	TA	TB	TL	
VBK 105.10.1.1.O	1	10	125	105	22	16	26	58	18	135	80	316	4,5
VBK 120.12.1.2.O	2	12	150	120	30	16	26	58	24	170	100	391	8
VBK 165.14.1.3.O	3	14	200	165	30	21	32	72	30	220	100	483	12,5
VBK 210.18.1.4.O	4	18	250	210	35	26	40	94	33	270	110	614	21
VBK 255.20.1.6.O	6	20	300	255	40	29	45	108	42	320	125	698	33
VBK 305.22.1.8.O	8	22	350	305	45	32	49	115	45	380	150	777	48
VBK 345.24.1.10.O	10	24	400	345	50	36	54	125	52	430	170	870	68
VBK 345.24.1.12.O	12	24	400	345	55	41	60	144	56	430	170	896	83
VBK 345.28.1.16.O	16	28	400	345	60	46	66	163	64	430	180	950	95
VBK 390.30.1.16.O	16	30	450	390	70	46	66	163	64	480	180	980	106
VBK 345.30.1.20.O	20	30	400	345	70	51	72	173	72	430	200	990	122
VBK 390.32.1.20.O	20	32	450	390	70	51	72	173	72	480	200	1020	130
VBK 390.36.1.25.O	25	36	450	390	80	60	80	195	76	480	224	1045	150
VBK 390.36.1.30.O	30	36	450	390	90	60	90	220	80	480	227	1220	190
VBK 480.42.1.40.O	40	42	550	480	120	-	96	96	90	580	240	1140	250

Minimum Ultimate Strength = 4 x WLL

WLL= Working Load Limit on head fitting.

- Snatch blocks can be supplied with becket on request.
- Standard supplied with bronze bearings. Other bearings available on request.
- Standard supplied with swivel oval eye up to 30 tons, for over 30 tons with swivel stud eye.
- Snatch blocks of 1 ton and over 30 tons are provided with a fixed trunnion and locking pin.
- Snatch blocks can be supplied with swivel hook, swivel stud eye or swivel jaw.
- Groove in sheave may be adjusted to other wire rope diameters.



SEE OUR WARNING & SAFETY
INFORMATION