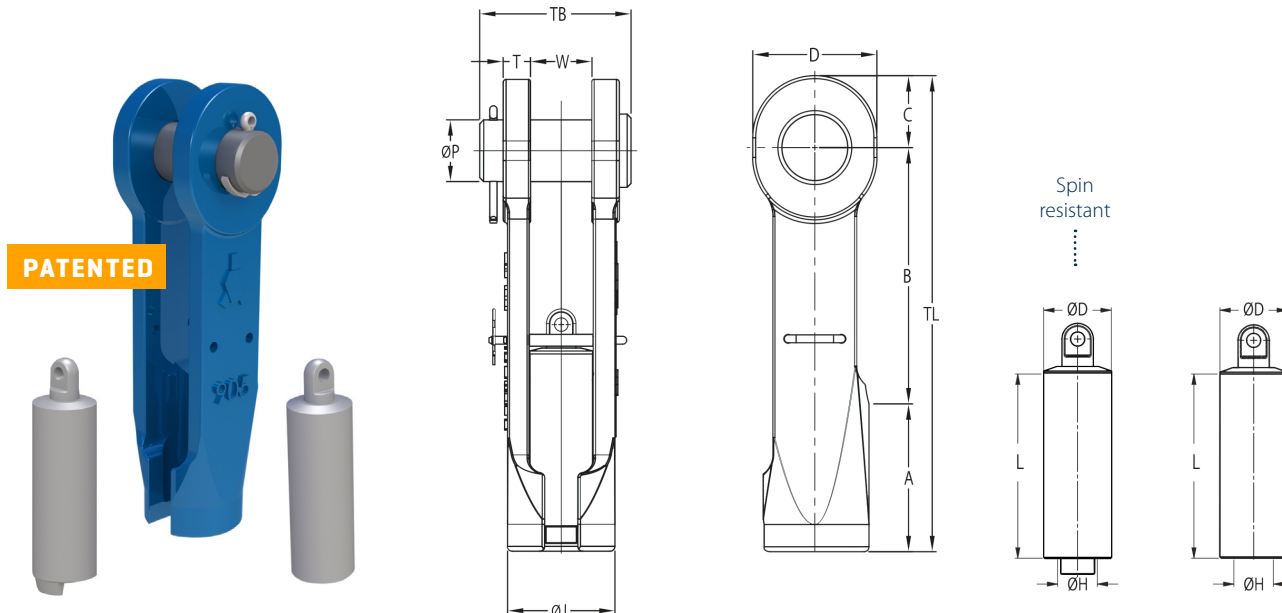


SUPER REEVE CONNECTOR SOCKETS WITH PIN

QUENCHED AND TEMPERED CAST STEEL



Model nr.	MBL (Mtons)	for wire ø		Dimensions (mm)													Weight (kg)
		(mm)	(inch)	A	B	C	øH	øP	T	W	D	øD	øJ	L	TB	TL	
SCS 901 P	20	11-13	7/16 - 1/2	-	-	-	-	-	-	-	-	-	-	-	-	-	-
SCS 902 P	25	13-16	1/2 - 5/8	85	133	32	19	30	14	32	58	32	56	98	85	250	3,1
SCS 903 P	40	16-19	5/8 - 3/4	90	160	40	22	35	16	38	70	40	65	114	95	290	4,8
SCS 904 P	55	20-22	7/8	107	184	45	26	41	19	44	80	44	77	130	110	336	8
SCS 905 P	75	23-26	1	115	211	60	31	50	22	51	104	52	88	142	128	386	12
SCS 906 P	90	27-29	1 1/8	140	215	65	34	57	25	57	114	58	96	159	142	420	16
SCS 907 P	125	30-32	1 1/4	150	260	73	36	63	28	63	126	64	110	177	155	483	23
SCS 908 P	125	33-36	1 3/8	170	260	73	40	64	28	69	126	68	114	197	160	503	25
SCS 902 P.SR	25	13-16	1/2 - 5/8	85	133	32	19	30	14	32	58	32	56	98	85	250	3,1
SCS 903 P.SR	40	16-19	5/8 - 3/4	90	160	40	22	35	16	38	70	40	65	114	95	290	4,8
SCS 904 P.SR	55	20-22	7/8	107	184	45	26	41	19	44	80	44	77	130	110	336	8
SCS 905 P.SR	75	23-26	1	115	211	60	31	50	22	51	104	52	88	142	128	386	12
SCS 906 P.SR	90	27-29	1 1/8	140	215	65	34	57	25	57	114	58	96	159	142	420	16
SCS 907 P.SR	125	30-32	1 1/4	150	260	73	36	63	28	63	126	64	110	177	155	483	23
SCS 908 P.SR	125	33-36	1 3/8	170	260	73	40	64	28	69	126	68	114	197	160	503	25
SCS 909 P.SR	150	37-39	1 1/2	-	-	-	-	-	-	-	-	-	-	-	-	-	-
SCS 910 P.SR	170	40-42	1 5/8	160	283	88	45	76	33	76	156	84	139	195	187	531	42
SCS 911 P.SR	225	43-48	1 3/4 - 1 7/8	-	-	-	-	-	-	-	-	-	-	-	-	-	-
SCS 912 P.SR	280	49-54	2 - 2 1/8	225	373	108	60	95	45	101	194	105	185	280	244	706	93

MBL = Minimum Breaking Load

- The standard finish of our sockets is blue. Hot dipped galvanized is also available.
- All sockets are provided with an EN 10204-2.1 declaration of conformity, EN 10204-3.1 material certificate and can be provided with a 2006/42/EC declaration where applicable.
- Dimensional tolerances depend on the manufacturing techniques applied and are different between machined components (pins) and cast components (socket bodies and wedges).
- Also surface finish e.g. hot dip galvanizing or even paint may add to the overall thickness and fork distance.
- Please contact Ropeblock for further guidance and a detailed dimensional tolerance sheet.


SEE OUR WARNING & SAFETY INFORMATION