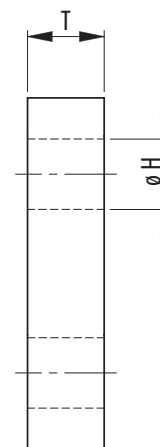
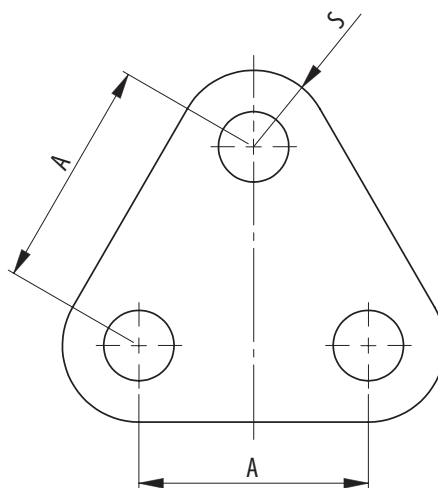
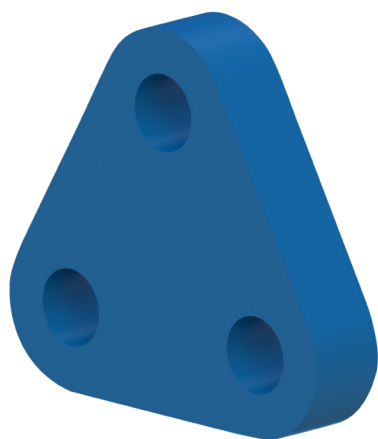


## TRIANGLE PLATES

## NEN 3561 / DIN 82015



| Model Nr.   | WLL (Mtons) | MBL (Mtons) | Dimensions (mm) |    |    |    | Weight (kg) |
|-------------|-------------|-------------|-----------------|----|----|----|-------------|
|             |             |             | A               | ØH | T  | S  |             |
| TP 25.23.2  | 2           | 10          | 75              | 23 | 25 | 25 | 2           |
| TP 30.30.3  | 3           | 15          | 90              | 30 | 30 | 30 | 3           |
| TP 35.39.5  | 5           | 25          | 115             | 39 | 35 | 40 | 5           |
| TP 45.48.8  | 8           | 40          | 140             | 48 | 45 | 50 | 10          |
| TP 50.52.10 | 10          | 50          | 145             | 52 | 50 | 55 | 15          |

Minimum Ultimate Strength = 5 x WLL

- Other sizes possible.
- Painted blue (RAL 5017).
- Material certificate according EN 10204 3.1 included.

