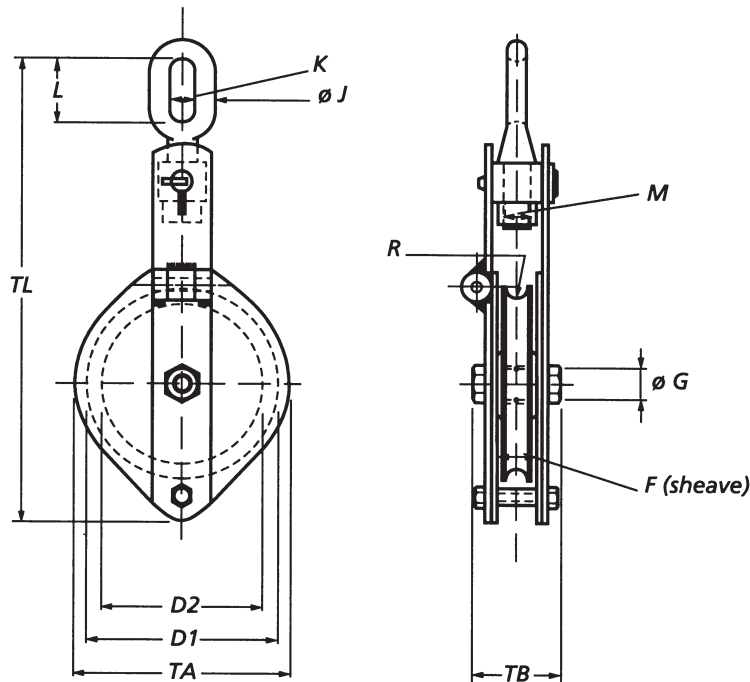
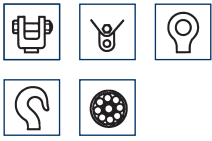


## Snatch blocks self locking

Can also be delivered with:



Stock No.	WLL (t)	Wire up to (mm)	Dimensions (mm)											Weight (kg)	
			D1	D2	F	øG	øJ	K	L	M	R	TA	TB		TL
12.125.01.10	1	10	125	105	27	22	16	26	58	18	5.5	135	80	316	4.5
12.150.02.10	2	12	150	120	40	30	16	26	58	24	6.5	170	100	391	8
12.200.03.10	3	14	200	165	40	30	21	32	72	30	7.5	220	100	483	12.5
12.250.04.10	4	18	250	210	45	35	26	40	94	33	9.5	270	110	614	21
12.300.06.10	6	20	300	255	50	40	29	45	108	42	11	320	125	698	33
12.350.08.10	8	22	350	305	60	45	32	49	115	45	12	380	150	777	48
12.400.10.10	10	24	400	345	65	50	36	54	125	52	13	430	170	870	68
12.400.12.10	12	24	400	345	65	55	41	60	144	56	13	430	170	896	83
12.400.16.10	16	28	400	345	70	60	46	66	163	64	15	430	180	950	95
12.450.16.10	16	30	450	390	70	70	46	66	163	64	16	480	180	980	106
12.400.20.10	20	30	400	345	70	70	51	72	173	72	16	430	200	990	122
12.450.20.10	20	32	450	390	70	70	51	72	173	72	17	480	200	1020	130
12.450.25.10	25	36	450	390	80	80	60	80	195	76	19.5	480	224	1045	150
12.450.30.10	30	36	450	390	85	90	60	90	220	80	19.5	480	227	1220	190
12.550.40.13	40	42	550	495	115	120	-	96	96	90	22.5	580	240	1140	250

Minimum Ultimate Strength = 4 x WLL.

WLL= Working Load Limit on head fitting.

- Snatch blocks can be supplied with becket, the last digit of the stock number should be 1 (instead of 0).
- Standard supplied with bronze bearings. • Other bearings available on request.
- Standard supplied with swivel oval eye up to 30 tons, for over 30 tons with swivel stud eye.
- Snatch blocks of 1 ton and over 30 tons are provided with a fixed trunnion and locking pin.
- Snatch blocks can be supplied with swivel hook, swivel stud eye or swivel jaw.
- Groove in sheave may be adjusted to other wire rope diameters.

**WARNING!:** These snatch blocks should never be used as lower block for hoisting.