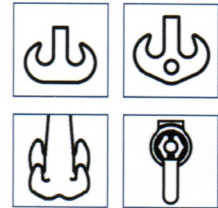
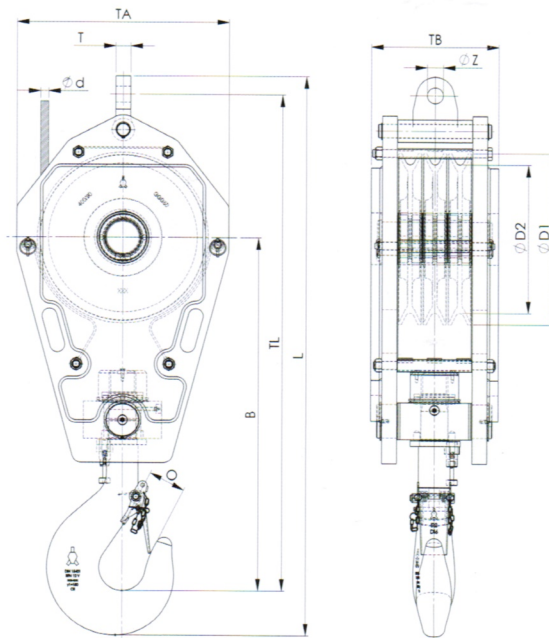


FAST REEVE CRANE BLOCKS >>

3 SHEAVES



- Ramshorn hook
- Ramshorn hook form B
- Quad hook
- Shackle stud eye

Model Nr.	WLL (Mtons)	For wire ød (mm)	Hook size	Dimensions (mm)										Weight (kg)
				øD1	øD2	B	O	TA	TB	TL	L	T	øZ	
FRB 225.14.3.20.E	20	14	8	260	225	718	69	345	180	993	1128	28	32	130
FRB 260.14.3.20.E	20	14	8	300	260	723	69	400	220	1018	1153	28	32	185
FRB 260.14.3.25.E	25	14	8	300	260	698	69	400	260	993	1128	28	32	210
FRB 285.16.3.29.E	29	16	8	320	280	703	69	420	180	1013	1148	28	32	210
FRB 320.16.3.20.E	20	16	8	365	320	763	69	450	180	1096	1231	28	32	160
FRB 320.16.3.25.E	25	16	8	365	320	763	69	450	220	1096	1231	28	32	205
FRB 320.16.3.29.E.A	29	16	8	365	320	763	69	450	220	1096	1231	28	32	210
FRB 320.16.3.29.E.B	29	16	8	365	320	763	69	450	230	1096	1231	28	32	225
FRB 355.19.3.32.E	32	19	10	410	355	863	76	500	280	1208	1359	35	37	370
FRB 360.19.3.40.E	40	19	12	420	360	899	84	510	342	1254	1417	35	37	455
FRB 360.19.3.50.E	50	19	12	420	360	899	97	510	402	1254	1431	35	37	555
FRB 400.19.3.40.E	40	19	12	460	400	928	84	570	343	1323	1486	35	37	500
FRB 400.19.3.50.E	50	19	12	460	400	949	97	570	343	1324	1501	35	37	540
FRB 400.22.3.50.E	50	22	16	460	400	949	97	570	343	1324	1506	40	43	540



Minimum Ultimate Strength = 4 x WLL

- The dimensions in this table are indicative only. A drawing will always be submitted prior to production and will be the leading document when discussing dimensions.
- Blocks shown here are standard models; inquiries for custom versions are welcome.
- Refer to wire rope manufacturers D/d ratio guideline.
- Optional: Hook locking pin.



SEE OUR WARNING & SAFETY INFORMATION ON PAGES 146 - 158

